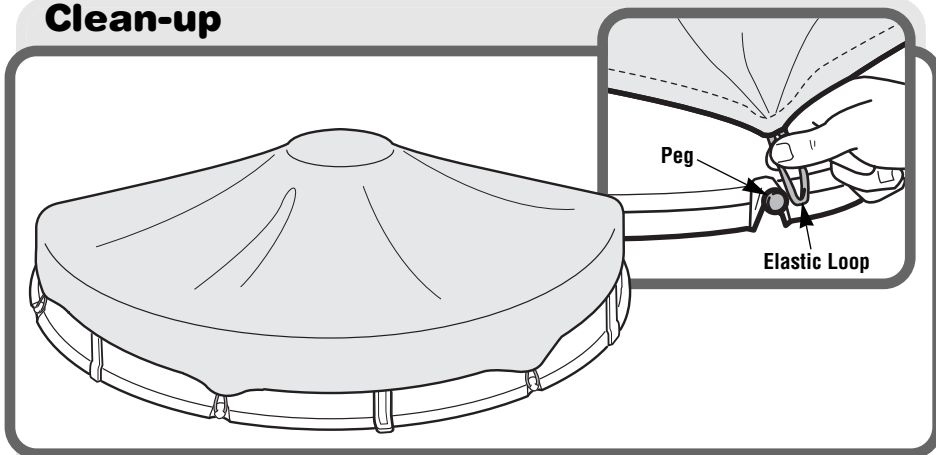


Clean-up



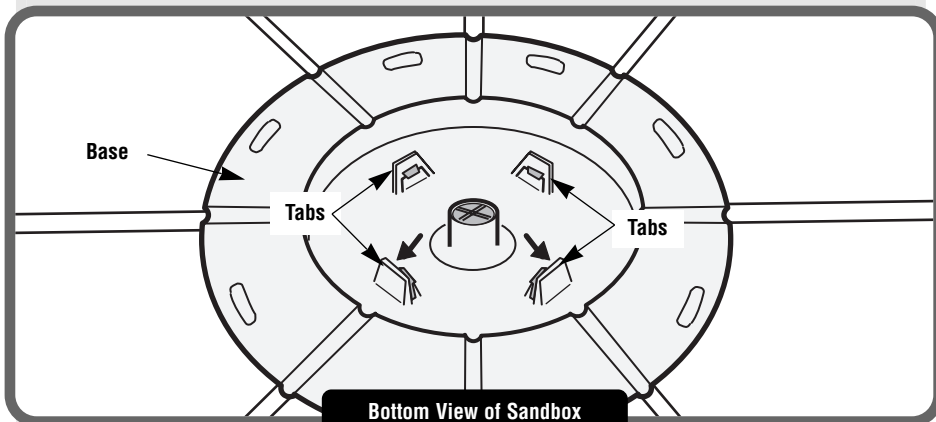
- Cover the sandbox to help keep water and dirt out of the sandbox.
- Spread the cover over the top of the sandbox.
- Fasten the elastic loops on the cover to the pegs on the side of the sandbox.

Helpful Hint: Place a sand pail upside-down (or similar object) in the center of the sandbox before putting on the cover. This will help to keep water off of the top of the cover.

Care

- Check the plastic parts regularly and if broken or cracked, dispose of them properly.
- Use a mild soap and water solution and clean cloth to clean this product. Rinse with clean water to remove soap residue.

Storage



- Remove sand from the sandbox.
- Turn the sandbox upside-down.
- Push the tabs outward on the bottom of the base to remove the cap. Separate the panels.
- Store all parts indoors when the outdoor temperature drops below freezing.

Fisher-Price®

Supersize Sandbox

Instructions

Model 75967



- Please save these instructions for future reference.
- Adult assembly is required.
- No tools are needed for assembly.
- If you experience a problem with this product, or are missing a part, please call us at 1-800-432-KIDS, rather than return this product to the store.
- This product holds up to 500 lbs. of sand (not included).

Fisher-Price Fisher-Price, Inc., a subsidiary of Mattel, Inc., East Aurora, New York 14052, U.S.A.

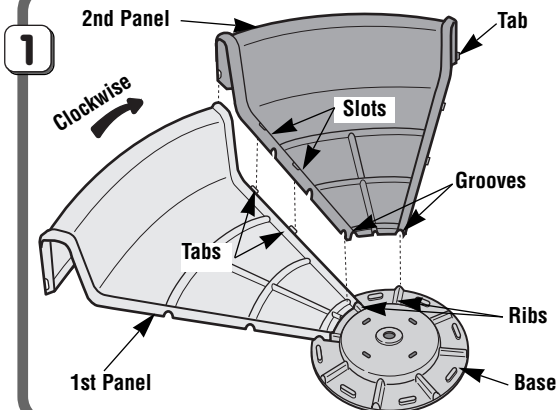
©1999 Mattel, Inc. All Rights Reserved.

® and ™ designate U.S. trademarks of Mattel, Inc.

Printed in U.S.A.

75967 A 0920

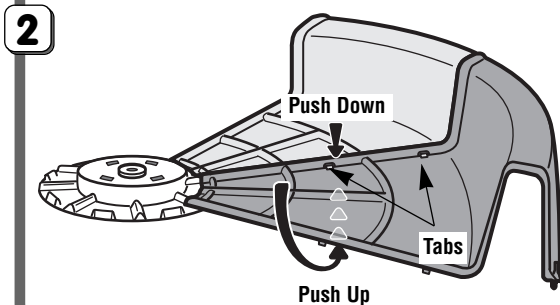
Assembly



- Place the base on the surface in which you intend to use the sandbox.

Note: Assemble the panels to the base going in a clockwise direction.

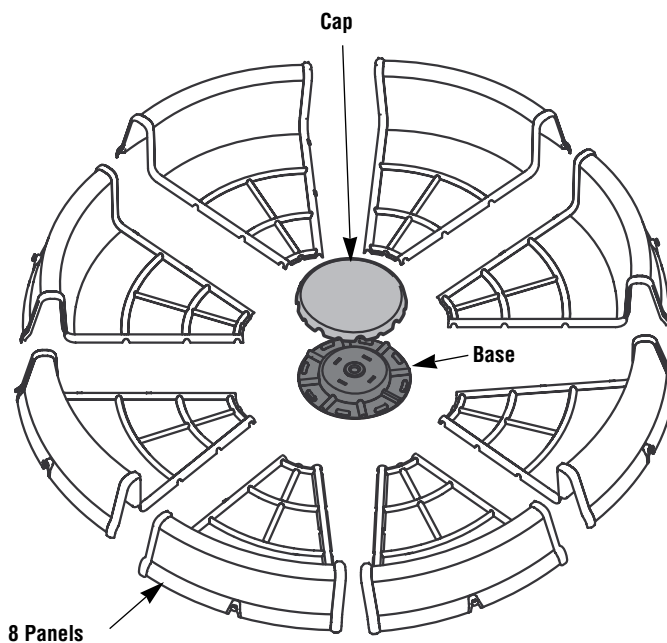
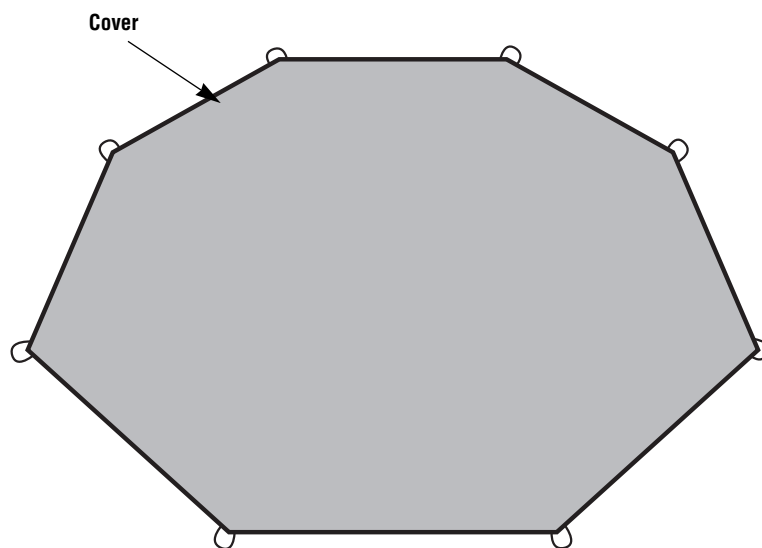
- Fit the grooves on one of the panels to the ribs on the base, as shown.
- Fit another panel onto the base. Snap both tabs on the first panel into the slots on the second panel.



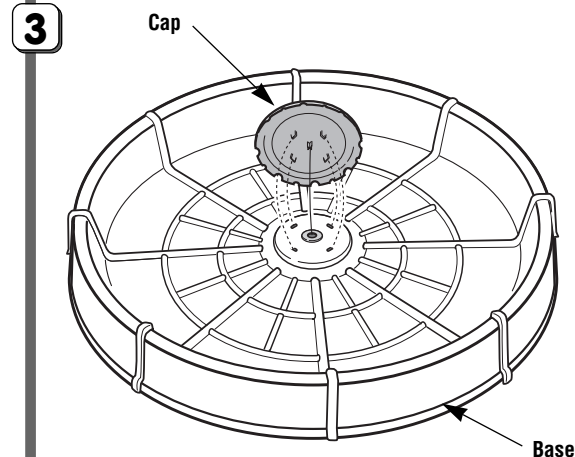
Helpful Hint: You may have difficulty snapping the panel tab closest to the base. Lift the assembly up slightly. While pushing up from the underside of the assembly (directly below the tab), push down on the topside of the assembly (directly above the tab).

- Insert and snap the tab on the outside edge of the first panel into the slot in the outside edge of the second panel.
- Repeat this procedure to assemble the remaining six panels to the base.

Parts

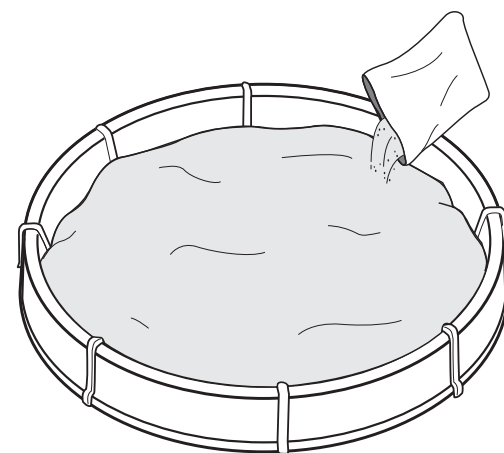


Assembly



- Insert and snap the cap to the base and panels.
- Assembly is now complete.**

Let's Play



- Fill the sandbox with up to 500 lbs. of sand.